

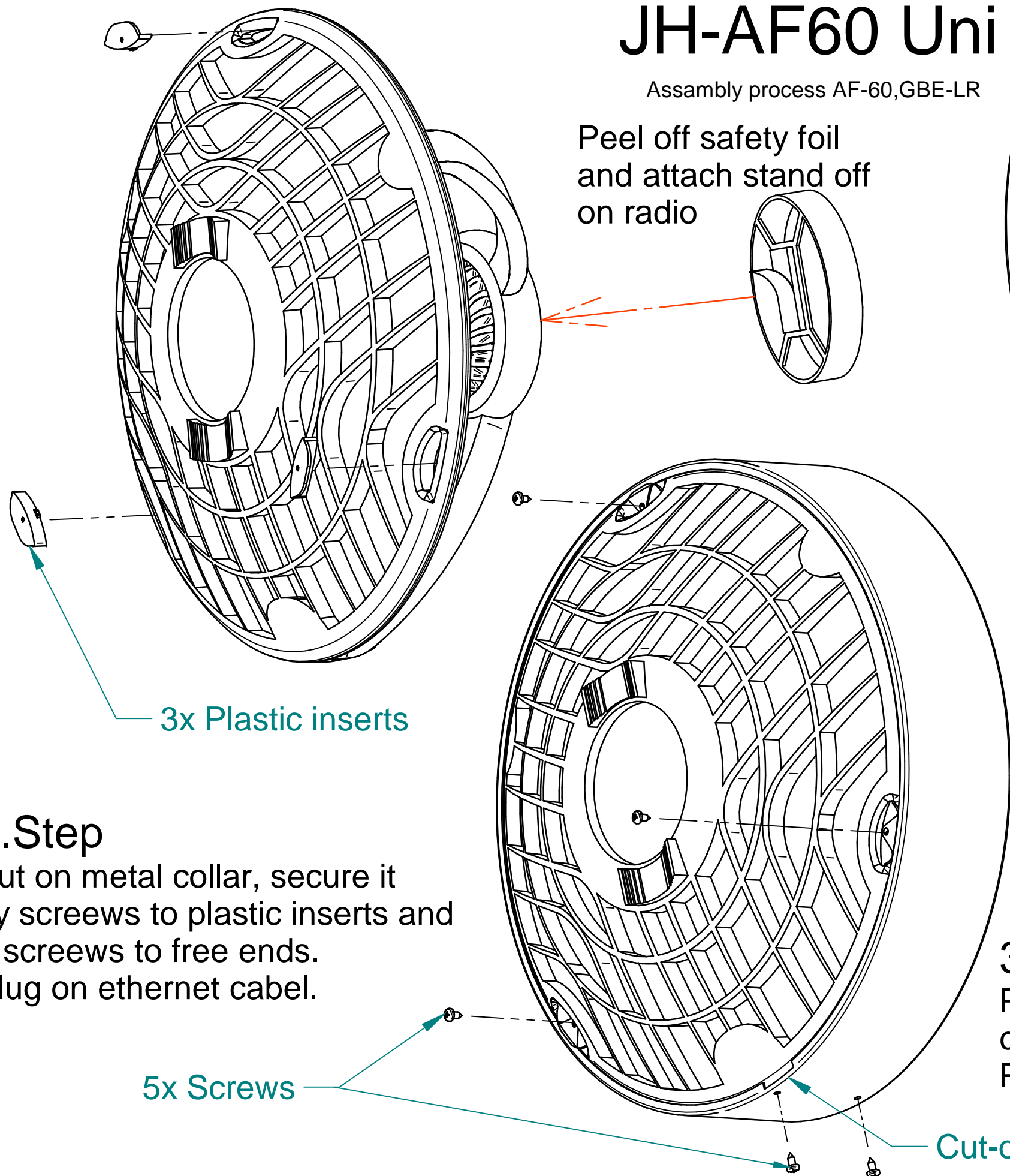
1. Step

Plug in plastic inserts till they clearly clicked.

JH-AF60 Uni

Assamble process AF-60, GBE-LR

Peel off safety foil and attach stand off on radio



3x Plastic inserts

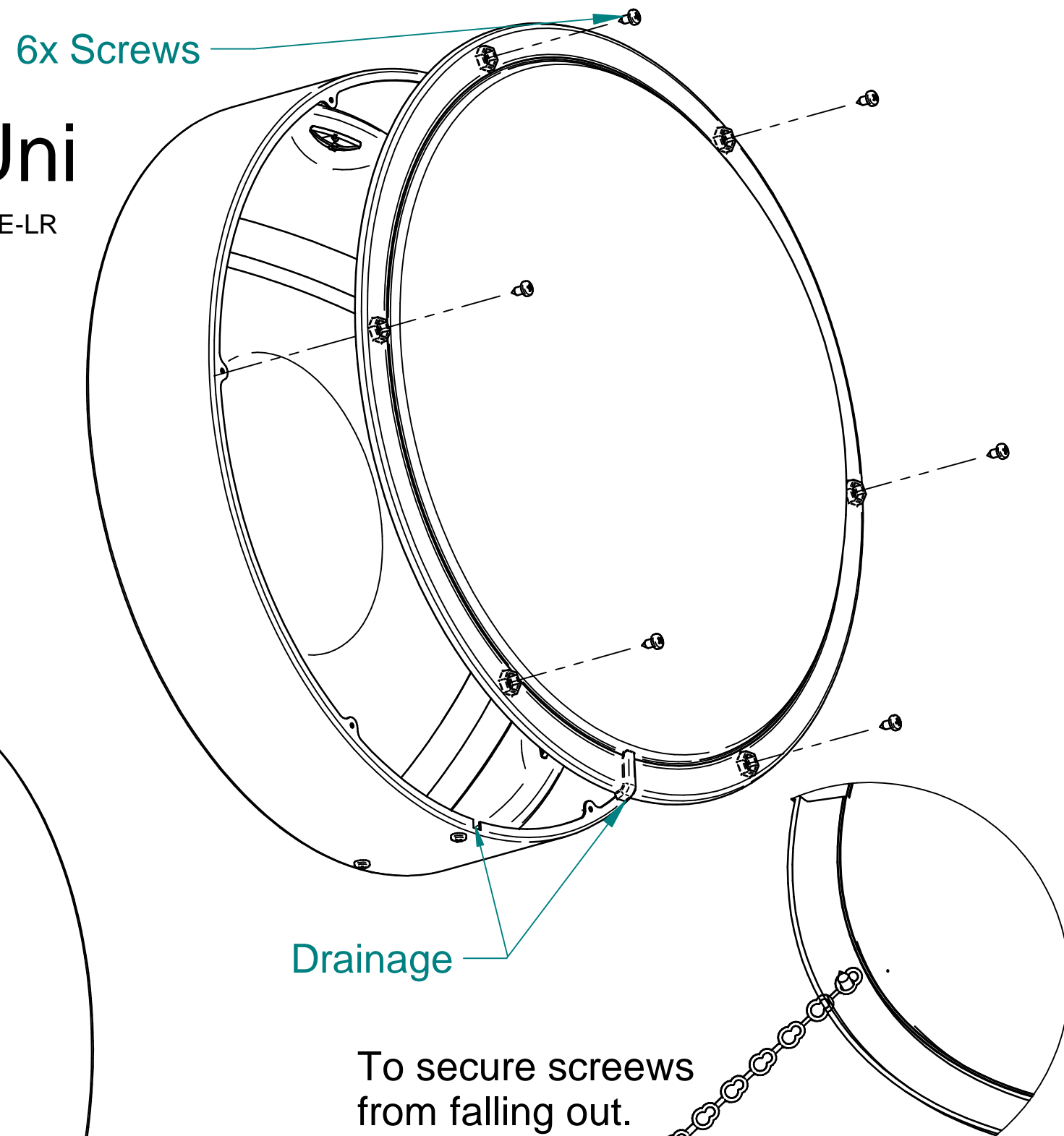
2. Step

Put on metal collar, secure it by screws to plastic inserts and 2 screws to free ends. Plug on ethernet cabel.

Cut-off in collar for cabel access.

3. Step

Put on plastic cover and srew it on collar. Plastic cover must be well tightened.

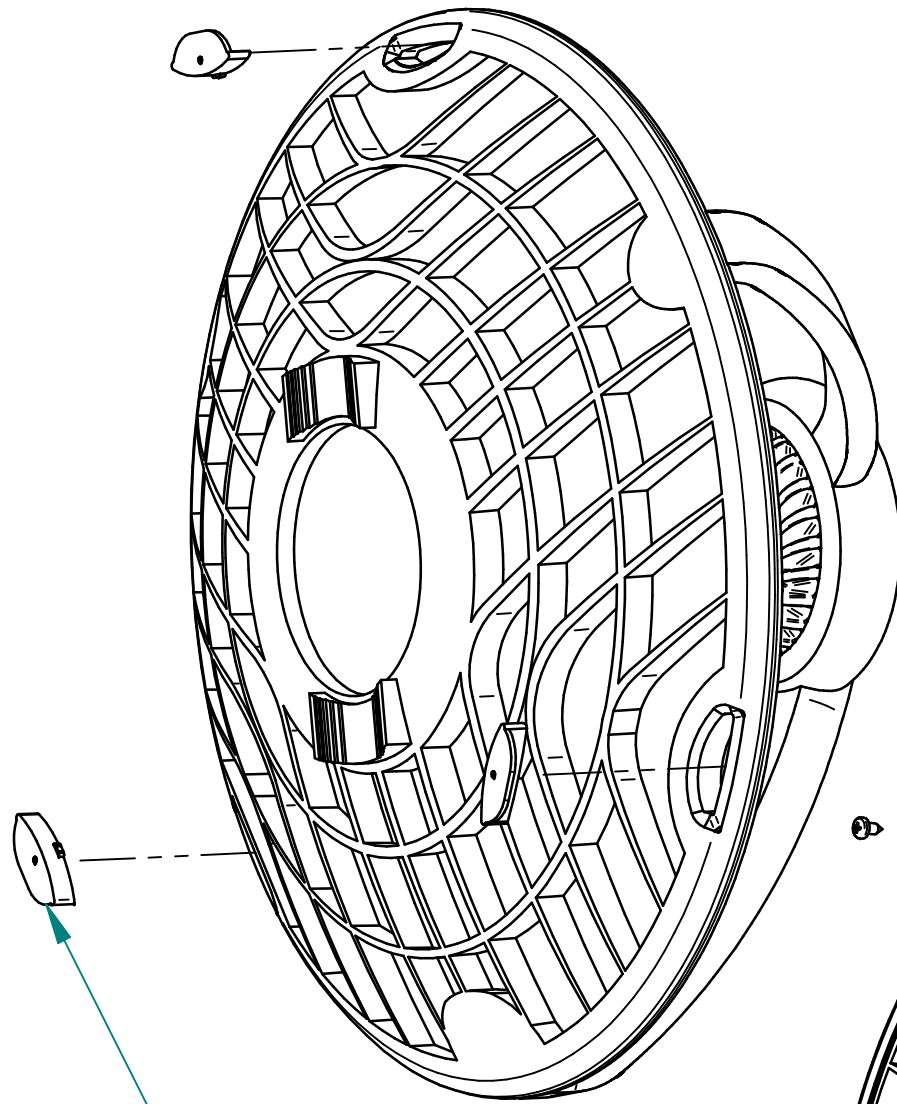


6x Screws

Drainage

To secure screws from falling out.

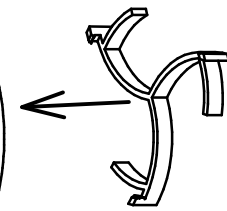
1. Step
Plug in plastic inserts till they clearly clicked.



3x Plastic parts

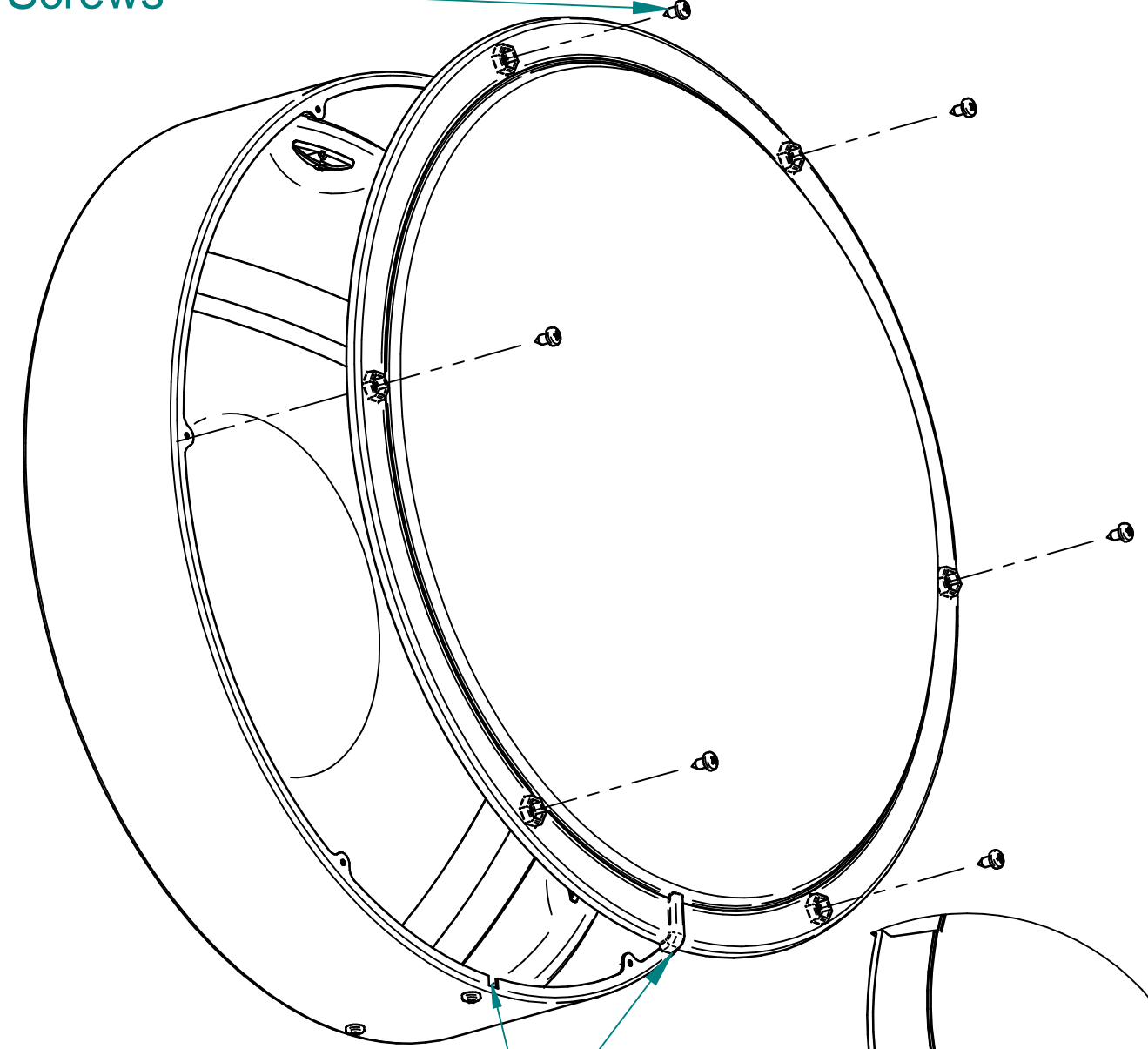
JH-AF60 Uni

Assembly process for AF-60 LR



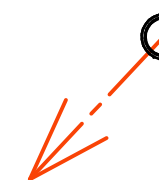
5x Screws

6x Screws



Drainage

To secure screws from falling out.



3. Step

Put on plastic cover and screw it on collar.
Plastic cover must be well tightened.

Cut in collar for cable access.



JIROUS
www.jirous.com