

Diagram References

1 Appearance

- ① Microphone
- ② Low Illumination IR Supplement Light
- ③ Built-in Camera
- ④ Loudspeaker
- ⑤ Call Button
- ⑥ Nametag
- ⑦ TAMPER
- ⑧ Two-Wire Interface
- ⑨ Module-connecting Interface
- ⑩ Terminals

Note: The module-connecting interface is used to connect other function module, such as nametag module, keypad module, card reader module, etc. All these modules are known as sub module.

2 Terminal

- ① NC1: Door Lock Relay Output (NC)
- ② NO1: Door Lock Relay Output (NO)
- ③ COM: Common Interface
- ④ NC2: Door Lock Relay Output (NC)
- ⑤ NO2: Door Lock Relay Output (NO)
- ⑥ GND: Grounding
- ⑦ 12 VDC: Power Input
- ⑧ GND: Grounding
- ⑨ Two-Wire Interface
- ⑩ AIN2: For the access of Door Contact 2
- ⑪ AIN1: For the access of Door Contact 1
- ⑫ AIN3: For the access of Exit Button 1
- ⑬ AIN4: For the access of Exit Button 2
- ⑭ 485-: Module-connecting Interface
- ⑮ 485+: Module-connecting Interface
- ⑯ 12V OUT: Module-connecting Interface
- ⑰ GND: Module-connecting Interface

Note: Wiring description refers to the User Manual.

3 Installation

Note: Video intercom module door station support one-module installation, two-module installation, three-module installation and more-than-three-module installation. Here takes three-module installation as an example.

Before you begin:

- Tools that you need to prepare for installation: Drill (φ6), cross screwdriver (PH1*150 mm), and gradienter.
- Make sure all the related equipment is power-off during the installation.
- Make sure you have configured the sub module address before installation. Valid sub module address range is 1 to 8. The No. should be unique for sub modules that connected to the same main unit. The sub module address and corresponding switch status is shown as the figure.

★ Three-Module Flush Mounting

- Cave the installation hole, and pull the cable out.
- Select a cable entry and remove the plastic sheet. Route the cables through the gang box hole. Insert the gang box into the installation hole. Mark the gang box screw holes' position with a marker, and take out the gang box.
- Drill 4 holes according to the marks on the wall, and insert the expansion sleeves into the screw holes. Fix the gang box with 4 expansion bolts.
- Fill the gap between the gang box and wall with concrete or Silicone sealant. Remove the mounting ears with tool after concrete is dry.
- Connect cables and insert the modules.
 - Connect Cable 1 and one end of Cable 2 to the corresponding interfaces of the main unit, then insert the main unit into the upper grid.
 - Connect the other end of Cable 2 to the input interface of Sub Module 1. Connect one end of Sub Module 1 and insert it into the middle grid.
 - Connect the other end of Cable 3 to the input interface of Sub Module 2. Insert it into the bottom grid.
- Fix the cover and the main unit with 2 socket head cap screws by using a hexagon wrench.

★ Three-Module Surface Mounting

- Paste the installation sticker 1 onto the wall. Make sure the sticker is placed horizontally via measuring with the gradienter. Drill 4 holes according to the screw holes on the sticker.
- Remove the sticker and insert the expansion sleeves into the screw holes. Fix the mounting frame onto the wall with 4 expansion bolts.
- Thread the module-connecting line across the thread holes of the frame. Pass the main unit connecting line across the thread hole to the top grid and connect the cables.
 - Connect the lines and module-connecting line 1 to the corresponding interfaces of the main unit, then place the main unit into the upper grid.
 - Connect the other end of the module-connecting line 1 to the input interface of the sub modules via module-connecting line 2.
 - Organize the cables with cable tie in the package.
- Insert the modules into the frame after wiring. The main unit must be placed in the top grid.
- Use the hexagon wrench in the package to fix the cover onto the frame.

4 Configuration

- Note:
- The module door station can be configured via indoor station. Refer to Indoor Station Configuration Guide for details.
 - The module door station can be configured via IVMS-4200 Client Software.
- ★ Refer to Video Intercom Module Door Station User Manual (scan the QR code) for details.

Regulatory Information

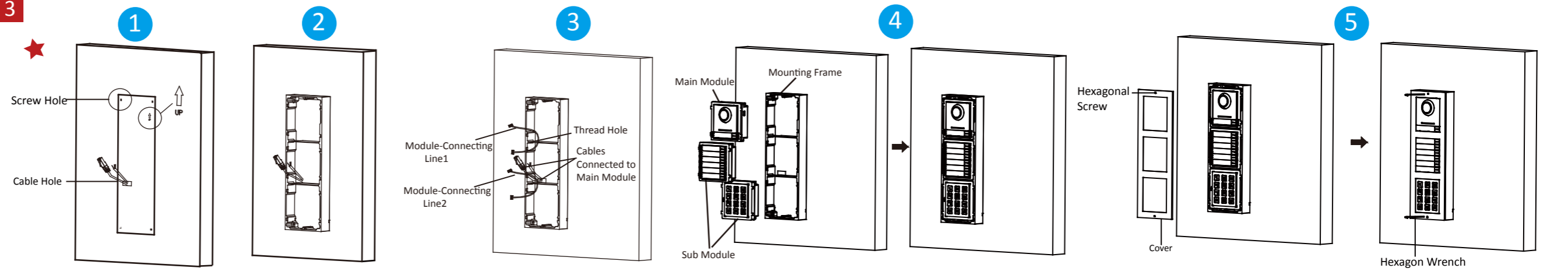
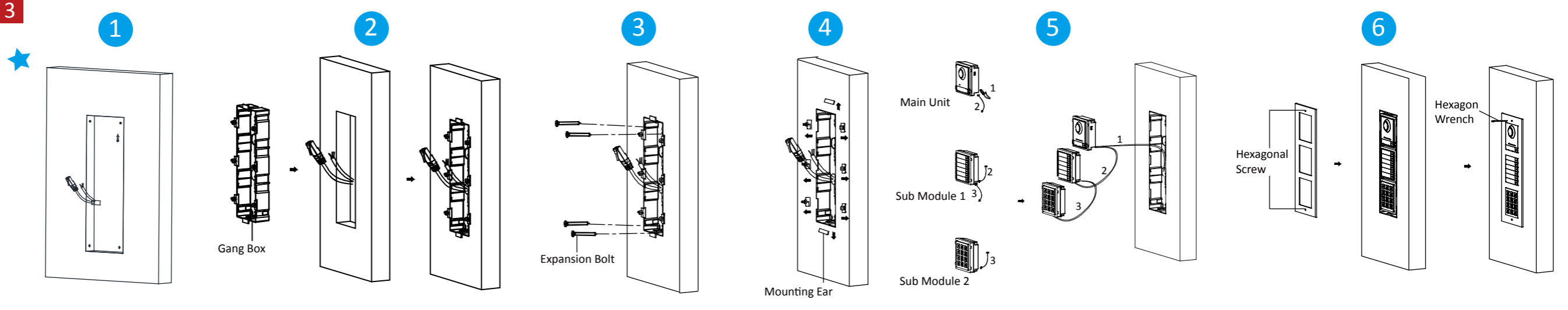
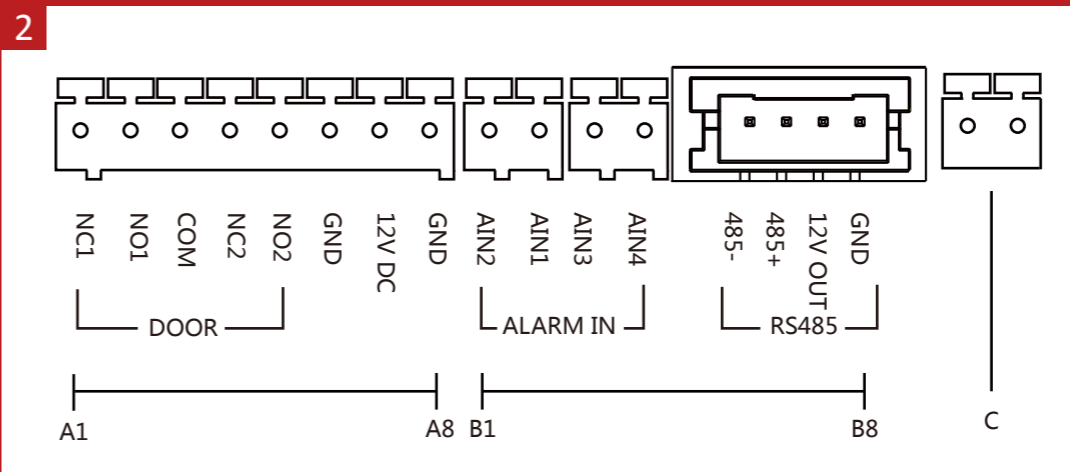
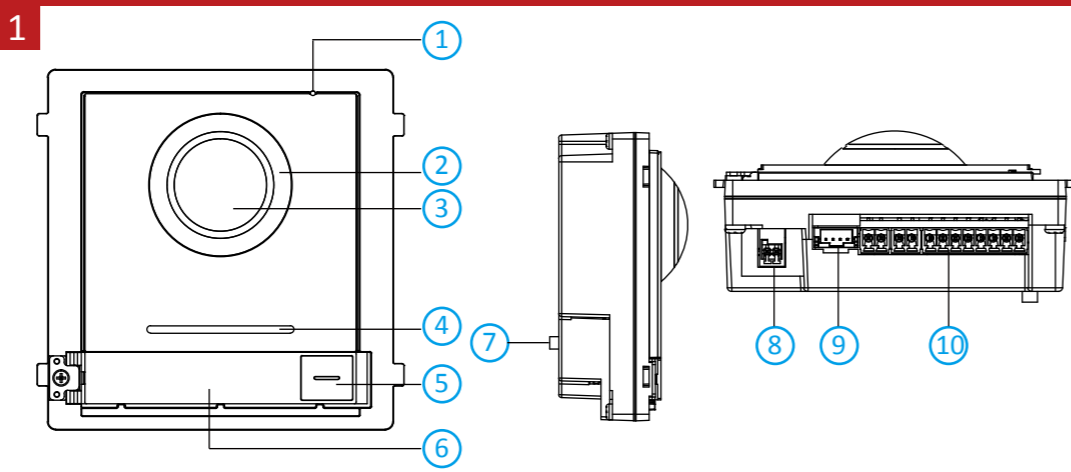
FCC Information
Please take attention that changes or modification not expressly approved by the party responsible for compliance could void the user's authority to operate the equipment.
FCC compliance: This equipment has been tested and found to comply with the limits for a Class B digital device, pursuant to part 15 of the FCC Rules. These limits are designed to provide reasonable protection against harmful interference in a residential installation. This equipment generates, uses and can radiate radio frequency energy and, if not installed and used in accordance with the instructions, may cause harmful interference to radio communications. However, there is no guarantee that interference will not occur in a particular installation. If this equipment does cause harmful interference to radio or television reception, which can be determined by turning the equipment off and on, the user is encouraged to try to correct the interference by one or more of the following measures:
—Reorient or relocate the receiving antenna.
—Increase the separation between the equipment and receiver.
—Connect the equipment into an outlet on a circuit different from that to which the receiver is connected.
—Consult the dealer or an experienced radio/TV technician for help.

FCC Conditions
This device complies with part 15 of the FCC Rules. Operation is subject to the following two conditions:
1. This device may not cause harmful interference.
2. This device must accept any interference received, including interference that may cause undesired operation.

CE
This product and - if applicable - the supplied accessories too are marked with "CE" and comply therefore with the applicable harmonized European standards listed under the RE Directive 2014/53/EU, the EMC Directive 2014/30/EU, the LVD Directive 2014/35/EU, the RoHS Directive 2011/65/EU

2012/19/EU (WEEE directive): Products marked with this symbol cannot be disposed of as unsorted municipal waste in the European Union. For proper recycling, return this product to your local supplier upon the purchase of equivalent new equipment, or dispose of it at designated collection points. For more information see: www.recyclethis.info

2006/66/EC (battery directive): This product contains a battery that cannot be disposed of as unsorted municipal waste in the European Union. See the product documentation for specific battery information. The battery is marked with this symbol, which may include lettering to indicate cadmium (Cd), lead (Pb), or mercury (Hg). For proper recycling, return the battery to your supplier or to a designated collection point. For more information see: www.recyclethis.info



3

Sub Module Address	DIP 1	DIP 2	DIP 3	DIP 4	DIP 5	DIP 6	DIP 7	DIP 8
Module 1	ON	OFF	OFF	OFF	OFF	OFF	OFF	OFF
Module 2	OFF	ON	OFF	OFF	OFF	OFF	OFF	OFF
Module 3	ON	ON	OFF	OFF	OFF	OFF	OFF	OFF
Module 4	OFF	OFF	ON	OFF	OFF	OFF	OFF	OFF
Module 5	ON	OFF	ON	OFF	OFF	OFF	OFF	OFF
Module 6	OFF	ON	ON	OFF	OFF	OFF	OFF	OFF
Module 7	ON	ON	ON	OFF	OFF	OFF	OFF	OFF
Module 8	OFF	OFF	OFF	ON	OFF	OFF	OFF	OFF

Product Information

©2019 Hangzhou Hikvision Digital Technology Co., Ltd. It includes instructions on how to use the Product. The software embodied in the Product is governed by the user license agreement covering that Product.

About this Manual
This Manual is subject to domestic and international copyright protection. Hangzhou Hikvision Digital Technology Co., Ltd. ("Hikvision") reserves all rights to this manual. This manual cannot be reproduced, changed, translated, or distributed, partially or wholly, by any means, without the prior written permission of Hikvision.

Trademarks
HIKVISION and other Hikvision marks are the property of Hikvision and are registered trademarks or the subject of applications for the same by Hikvision and/or its affiliates. Other trademarks mentioned in this manual are the properties of their respective owners. No right of license is given to use such trademarks without express permission.

Legal Disclaimer
TO THE MAXIMUM EXTENT PERMITTED BY APPLICABLE LAW, THE PRODUCT DESCRIBED, WITH ITS HARDWARE, SOFTWARE AND FIRMWARE, IS PROVIDED "AS IS", WITH ALL FAULTS AND ERRORS, AND HIKVISION MAKES NO WARRANTIES, EXPRESS OR IMPLIED, INCLUDING WITHOUT LIMITATION, MERCHANTABILITY, SATISFACTORY QUALITY, FITNESS FOR A PARTICULAR PURPOSE, AND NON-INFRINGEMENT OF THIRD PARTY. IN NO EVENT WILL HIKVISION, ITS DIRECTORS, OFFICERS, EMPLOYEES, OR AGENTS BE LIABLE TO YOU FOR ANY SPECIAL, CONSEQUENTIAL, INCIDENTAL, OR INDIRECT DAMAGES, INCLUDING, AMONG OTHERS, DAMAGES FOR LOSS OF BUSINESS PROFITS, BUSINESS INTERRUPTION, OR LOSS OF DATA OR DOCUMENTATION, IN CONNECTION WITH THE USE OF THIS PRODUCT, EVEN IF HIKVISION HAS BEEN ADVISED OF THE POSSIBILITY OF SUCH DAMAGES.

REGARDING TO THE PRODUCT WITH INTERNET ACCESS, THE USE OF PRODUCT SHALL BE WHOLLY AT YOUR OWN RISKS. HIKVISION SHALL NOT TAKE ANY RESPONSIBILITIES FOR ABNORMAL OPERATION, PRIVACY LEAKAGE OR OTHER DAMAGES RESULTING FROM CYBER ATTACK, HACKER ATTACK, VIRUS INSPECTION, OR OTHER INTERNET SECURITY RISKS; HOWEVER, HIKVISION WILL PROVIDE TIMELY TECHNICAL SUPPORT IF REQUIRED.

SURVEILLANCE LAWS VARY BY JURISDICTION. PLEASE CHECK ALL RELEVANT LAWS IN YOUR JURISDICTION BEFORE USING THIS PRODUCT IN ORDER TO ENSURE THAT YOUR USE CONFORMS THE APPLICABLE LAW. HIKVISION SHALL NOT BE LIABLE IN THE EVENT THAT THIS PRODUCT IS USED WITH ILLEGITIMATE PURPOSES.

IN THE EVENT OF ANY CONFLICTS BETWEEN THIS MANUAL AND THE APPLICABLE LAW, THE LATER PREVAILS.

Safety Instruction

- Warnings**
- All the electronic operation should be strictly compliance with the electrical safety regulations, fire prevention regulations and other related regulations in your local region.
 - Please use the power adapter, which is provided by normal company. The power consumption cannot be less than the required value.
 - Do not connect several devices to one power adapter as adapter overload may cause over-heat or fire hazard.
 - Please make sure that the power has been disconnected before you wire, install or dismantle the device.
 - When the product is installed on wall or ceiling, the device shall be firmly fixed.
 - If smoke, odors or noise rise from the device, turn off the power at once and unplug the power cable, and then please contact the service center.
 - If the product does not work properly, please contact your dealer or the nearest service center. Never attempt to disassemble the device yourself. (We shall not assume any responsibility for problems caused by unauthorized repair or maintenance.)
- Cautions**
- Do not drop the device or subject it to physical shock, and do not expose it to high electromagnetic radiation. Avoid the equipment installation on vibrations surface or places subject to shock (ignorance can cause equipment damage).
 - Do not place the device in extremely hot (refer to the specification of the device for the detailed operating temperature), cold, dusty or damp locations, and do not expose it to high electromagnetic radiation.
 - The device cover for indoor use shall be kept from rain and moisture.
 - Exposing the equipment to direct sun light, low ventilation or heat source such as heater or radiator is forbidden (ignorance can cause fire danger).
 - Do not aim the device at the sun or extra bright places. A blooming or smear may occur otherwise (which is not a malfunction however), and affecting the endurance of sensor at the same time.
 - Please use the provided glove when open up the device cover, avoid direct contact with the device cover, because the acidic sweat of the fingers may erode the surface coating of the device cover.
 - Please use a soft and dry cloth when clean inside and outside surfaces of the device cover, do not use alkaline detergents.
 - Please keep all wrappers after unpack them for future use. In case of any failure occurred, you need to return the device to the factory with the original wrapper. Transportation without the original wrapper may result in damage on the device and lead to additional costs.
 - Inproper use or replacement of the battery may result in hazard of explosion. Replace with the same or equivalent type only. Dispose of used batteries according to the instructions provided by the battery manufacturer.

Consignes de sécurité

- Avertissements :**
- Tous les éléments électroniques doivent respecter à la lettre la réglementation locale sur la sécurité des installations électriques, sur la prévention des incendies et des réglementations connexes en vigueur.
 - Utilisez un adaptateur fourni par une entreprise agréée. La consommation électrique ne doit pas être inférieure à la valeur exigée.
 - Né branchez pas plusieurs appareils sur un même adaptateur; toute surcharge de l'adaptateur pouvant entraîner sa surchauffe ou provoquer un incendie.
 - Veuillez à bien déconnecter la source d'alimentation avant de câbler, installer ou démonter l'appareil.
 - Lors de l'installation au mur ou au plafond, assurez-vous que l'appareil est bien fixé.
 - Si l'appareil dégage de la fumée ou une odeur suspecte, ou s'il émet des bruits inhabituels, éteignez-le et débranchez le câble d'alimentation, puis contactez le SAV.
 - Si le produit ne fonctionne pas correctement, contactez votre revendeur ou le SAV le plus proche. Vous ne devez en aucun cas essayer de démonter le produit vous-même. (Nous déclinons toute responsabilité en cas de problèmes découlant d'une intervention ou d'une réparation effectuée sans autorisation.)
- Précautions**
- Évitez de faire tomber l'appareil, de le harceler et de l'exposer à des rayonnements électromagnétiques de forte intensité. Évitez d'installer l'équipement sur des surfaces vibrantes ou à des emplacements subissant des chocs fréquents (au risque de l'endommager).
 - N'installez pas l'appareil à un emplacement trop chaud ou trop froid (reportez-vous à la spécification de l'appareil pour connaître la température de fonctionnement précise), poussiéreuse ou humide. Ne l'exposez pas non plus à des rayonnements électromagnétiques élevés.
 - Le capot de l'appareil pour installation intérieure ne doit pas être exposé à la pluie, ni à l'humidité.
 - Il est formellement interdit d'exposer l'équipement directement au soleil, à un environnement mal ventilé ou à une source de chaleur telle qu'une chaudière ou un radiateur (au risque de provoquer un incendie).
 - N'orientez pas l'appareil vers le soleil ou des sources de lumière très vive. Dans le cas contraire, un voile ou des traînées risquent de se former (ce qui ne constitue toutefois pas un dysfonctionnement) et la résistance du capteur peut également être affectée.
 - Utilisez le gant fourni pour ouvrir le capot du dôme et évitez tout contact direct avec celui-ci, l'acidité de la sudation des doigts pouvant éroder le revêtement du capot de l'appareil.
 - Utilisez un chiffon doux et sec pour nettoyer les surfaces intérieures et extérieures du capot de l'appareil. N'utilisez pas de détergents alcalins.
 - Conservez tous les emballages; ils pourront vous servir ultérieurement. En cas de panne, renvoyez l'appareil à l'usine dans son emballage d'origine. Si l'appareil est transporté hors de son emballage d'origine, il risque d'être abîmé, entraînant des frais supplémentaires.
 - Une mauvaise utilisation de la batterie ou un remplacement erroné peut entraîner un risque d'explosion. Ne la remplacez que par une batterie identique ou de type équivalent. Mettre les batteries usagées au rebut conformément aux instructions du fabricant.

DS-KH6320-WTE2

Video Intercom Two-Wire Indoor Station

ENGLISH

1

Diagram References

1 Appearance

- ① Display Screen
- ② Microphone
- ③ Debugging Port
- ④ Two-Wire Interface
- ⑤ Loudspeaker
- ⑥ TF Card Slot
- ⑦ Alarm Terminal

Note: The debugging port is used for debugging only.

2 Wiring

There are 20 pins in the terminal on the rear panel of the indoor station: 2 RS-485 pins, 5 reserved pins, 4 relay output pins, 8 alarm input pins, and 1 GND pin.

Wire the devices with power supply cables.

Door station should be connected to CH4 of the video/audio distributor with two-wire cables.

Indoor Station should be connected to any terminal of CH1 to CH3 of the video/audio distributor with two-wire cables.

Caution: Make sure all the related equipment is power-off during the installation.

Note:

The power output of CH1 to CH3: 12 VDC, Max. 6W.

The power output of CH4: 12 VDC, Max. 8W.

3 Installation

The wall mounting plate and the junction box are required to install the indoor station onto the wall.

The dimension of junction box should be 75 mm (width) × 75 mm (length) × 50 mm (depth).

The dimension of wall mounting plate is shown.

Before you begin:

1. Tools that you need to prepare for installation: Make sure the device in the package is in good condition and all the assembly parts are included.
2. The power supply the indoor station supports is 12 VDC. Please make sure your power supply matches your indoor station.
3. Make sure all the related equipment is power-off during the installation.
4. Check the product specification for the installation environment.

★ Wall Mounting with Junction Box

1. Chisel a hole in the wall. The size of the hole should be 76 mm (width) × 76 mm (length) × 50 mm (depth).
2. Insert the junction box to the hole chiseled on the wall.
3. Fix the wall mounting plate to the junction box with 2 screws.
4. Hook the indoor station to the wall mounting plate tightly by inserting the plate hooks into the slots on the rear panel of the indoor station, during which the lock catch will be locked automatically.

4 Getting Started

1 Activate Indoor Station

You are required to activate the device first by setting a strong password for it before you can use the device.

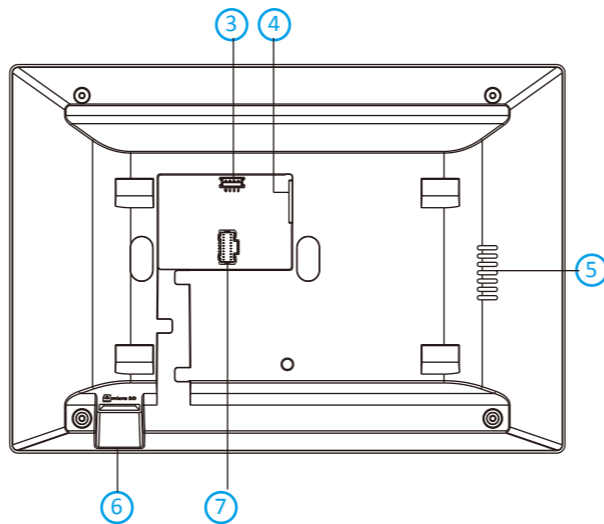
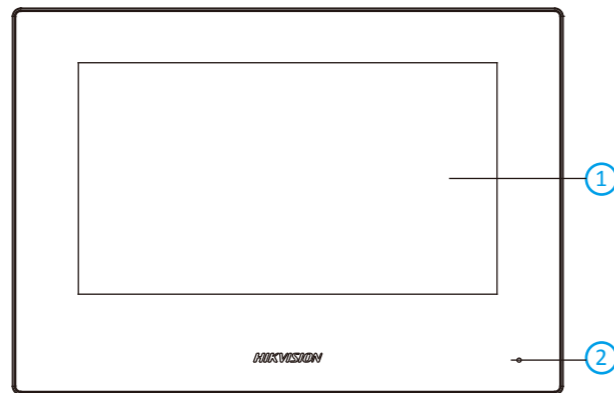
1. Power on the device. It will enter the activation page automatically.
2. Create a password and confirm it.
3. Tap OK to activate the indoor station.

2 Quick Configuration

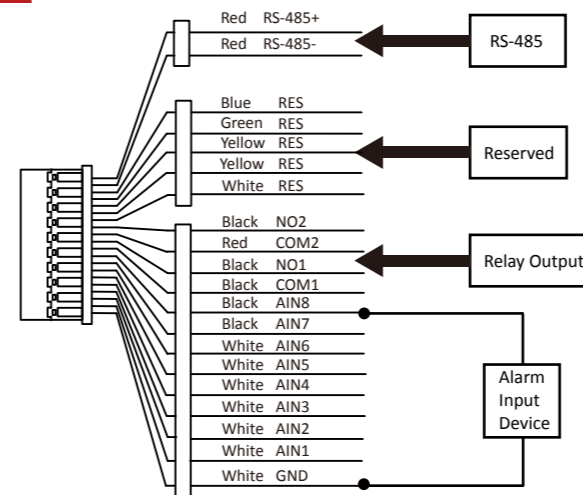
1. Choose Language and tap Next.
2. Set network parameters and tap Next.
 - Edit Local IP, Subnet Mask and Gateway parameters.
 - Enable DHCP, the device will get network parameters automatically.
3. Configure the indoor station and tap Next.
 - a. Choose Indoor Station Type.
 - b. Edit Floor and Room No.
4. Linked related devices and tap Next. If the device and the indoor station are in the same LAN, the device will be displayed in the list. Tap the device or enter the serial No. to link.
 - a. Tap the door station in the list to link.
 - b. Tap the settings icon to pop up the Network Settings page.
 - c. Edit the network parameters of the door station manually or enable DHCP to get the network parameters automatically.
 - d. Optional: Enable Synchronize Language to synchronize the Language of door station with indoor station.
 - e. Tap OK to save the settings.
5. Tap Finish to save the settings.

★ Refer to Video Intercom Indoor Station Configuration Guide (scan the QR code) for details.

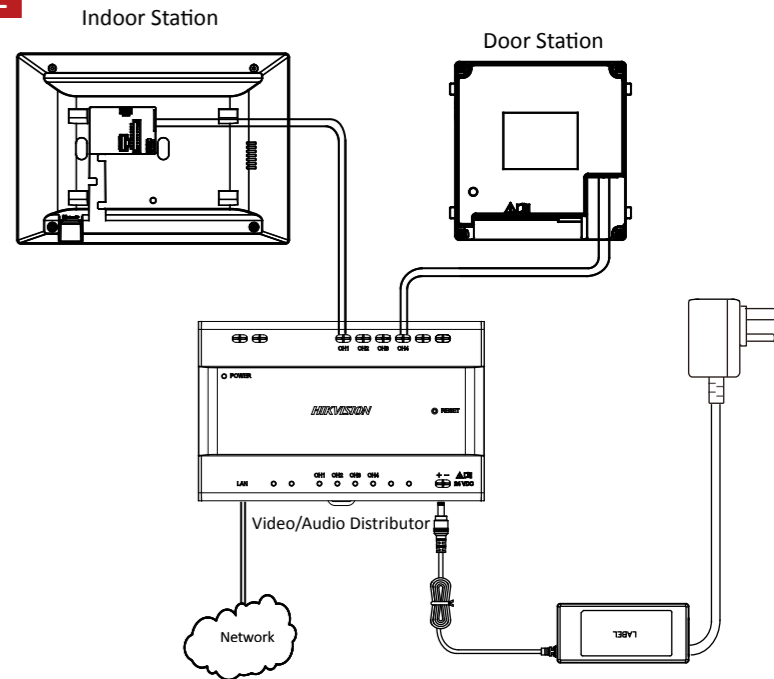
★ Refer to Video Intercom Indoor Station Operation Guide (scan the QR code) for details.



2

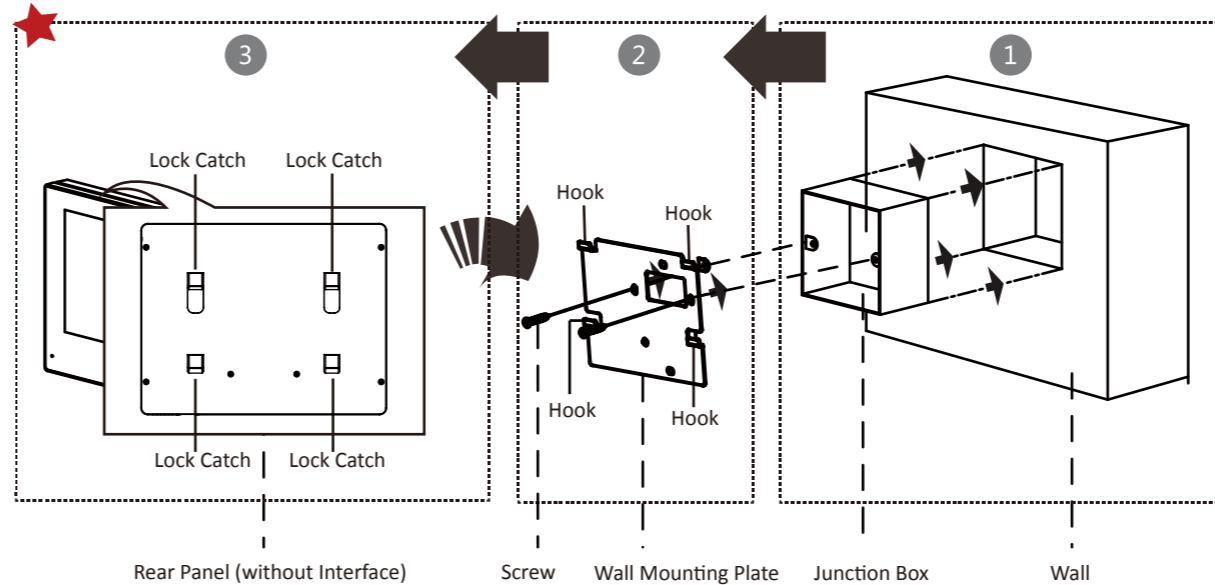
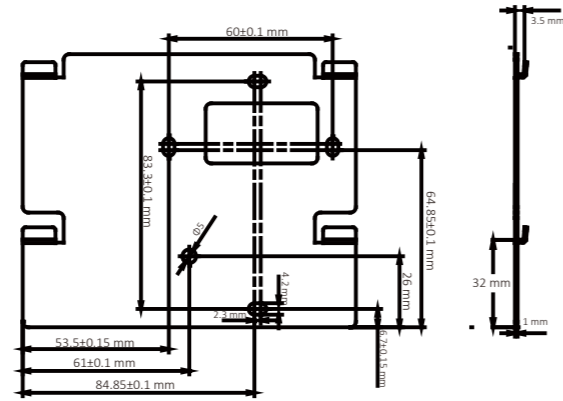


2



Note: The Bundle contains the distributor and power adapter.

3



DS-KAD704

Video Intercom Two-Wire Video/Audio Distributor

ENGLISH

1

Diagram References

1 Appearance

- ① Power Indicator
- ② Terminals
- ③ LAN
- ④ Network Indicator
- ⑤ Power Input
- ⑥ Reset

2 Wiring

Note: Wiring description refers to the User Manual.

Wire the devices with power supply cables.

Door station should be connected to CH4 of the video/audio distributor with two-wire cables.

Indoor Station should be connected to any terminal of CH1 to CH3 of the video/audio distributor with two-wire cables.

Caution: Make sure all the related equipment is power-off during the installation.

Note:

The power output of CH1 to CH3: 12 VDC, Max. 6W.

The power output of CH4: 12 VDC, Max. 8W.

3 Installation

Before you begin:

Make sure the device in the package is in good condition.

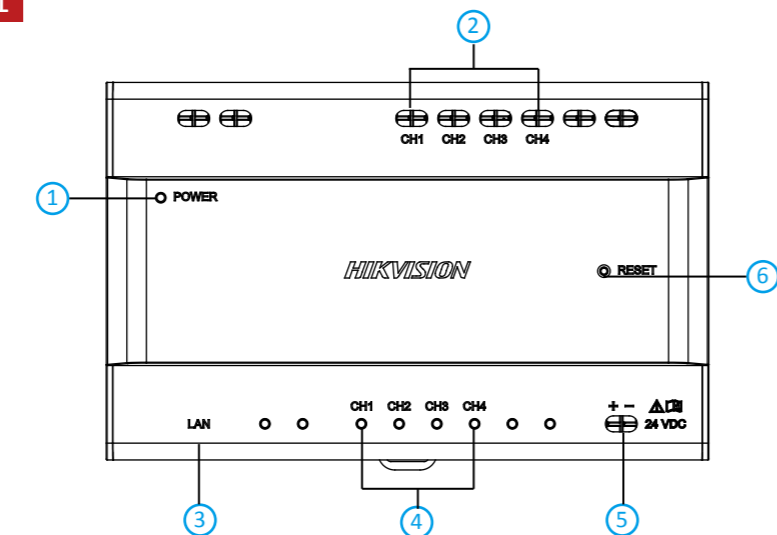
Make sure all the related equipment is power-off during the installation.

Check the product specification for the installation environment.

★ 1. Fix the DIN rail onto the wall.

Note: You are required to utilize a matched DIN rail.

2. Press the red clip upward, and lock it to the DIN rail.



2

