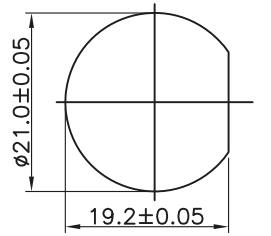
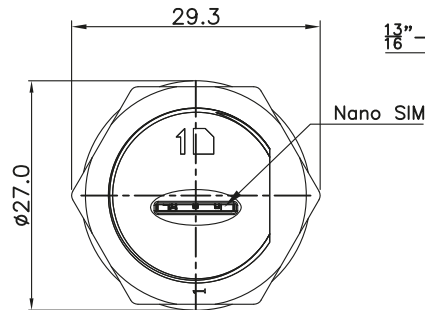
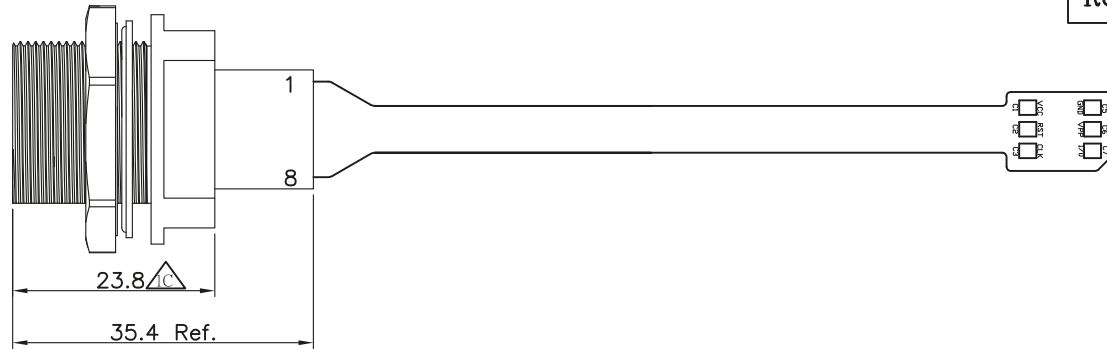


RoHS COMPLIANT

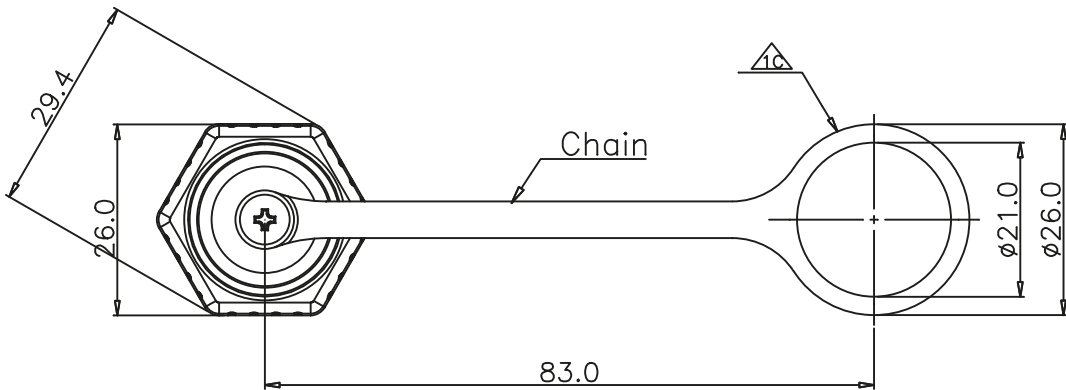
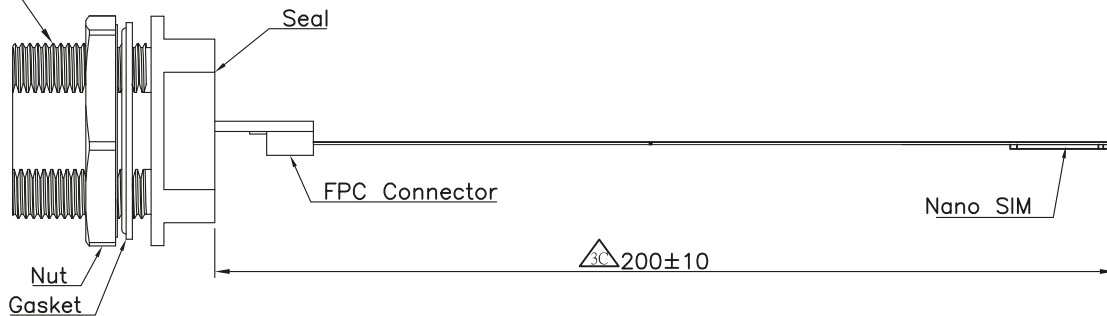


Panel Cut-Out
Panel Thick: 1.5~6.0mm



$\frac{13}{16}$ "-UNEF-28

Nano SIM



- Note:
1. Plastic Housing: Engineering Thermoplastic
Flammability Rating UL 94V-0.
 2. Nut: Engineering Thermoplastic
Flammability Rating UL 94V-0.
 3. Contacts: Phosphor Bronze, Gold Plating Over Nickel In Contact.
 4. Gasket: Silicone.
 5. SIM: Nano SIM Push, SPPN07-A0-8500.
 6. FPC: GFP-330221-40804G.
 7. Nut Installation Torque Range: 16~18kg-cm.

REVISION NOTE	TOLERANCE	ARTICLE NANOSIM+NANOSIM 20cm			
	.XXX ±0.10	SIMNN			
	.XX ±0.25	DWG NO.	UNIT	SCALE	SHEET
	.X ±0.38		mm	1/1	1/1
	X ±0.50				REV.
	ANG ±3°				A